

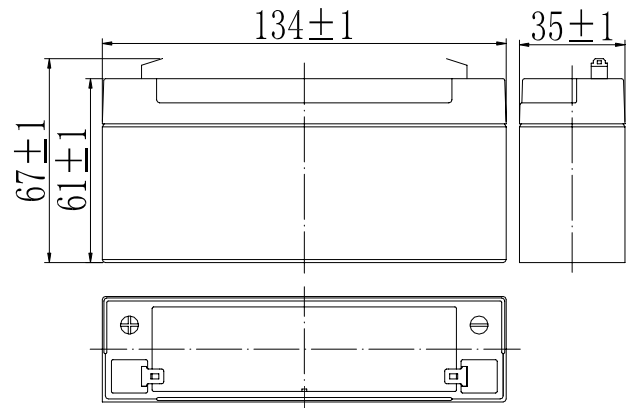


Specifications

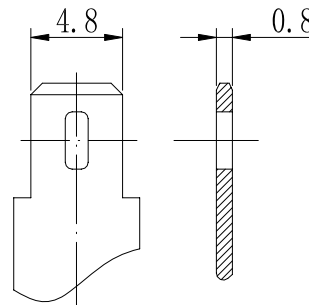
| | | |
|---|---|-----------------------------|
| Nominal Voltage | | 6 V |
| Capacity (25°C) | 20HR(5.25V) | 3.2Ah |
| | 10HR(5.25V) | 3.0Ah |
| | 1HR(4.80V) | 2.08Ah |
| Dimension | Length | 134 ± 1mm (5.28inch) |
| | Width | 35 ± 1mm (1.38inch) |
| | Height | 61 ± 1mm (2.40inch) |
| | Total Height | 67 ± 1mm (2.64inch) |
| Approx. Weight | | 0.60kg (1.32lbs) ± 5% |
| Terminal type | | T1 |
| Internal resistance (Fully charged, 25°C) | | Approx. 28mΩ |
| Capacity affected by temperature (20HR) | 40°C | 102% |
| | 25°C | 100% |
| | 0°C | 85% |
| | -15°C | 65% |
| Self-discharge (25°C) | 3 month | Remaining Capacity: 91% |
| | 6 month | Remaining Capacity: 82% |
| | 12 month | Remaining Capacity: 65% |
| Nominal operating temperature | | 25°C ± 3°C (77°F ± 5°F) |
| Operating temperature range | Discharge | -15°C ~ 50°C (5°F ~ 122°F) |
| | Charge | -10°C ~ 50°C (14°F ~ 122°F) |
| | Storage | -20°C ~ 50°C (-4°F ~ 122°F) |
| Float charging voltage(25°C) | 6.80 to 6.90V Temperature compensation: -9mV/°C | |
| Cyclic charging voltage(25°C) | 7.25 to 7.45V Temperature compensation: -15mV/°C | |
| Maximum charging current | 0.96A | |
| Terminal material | Copper | |
| Maximum discharge current | 48A(5 sec.) | |
| Designed floating life(20°C) | 10years | |



Dimensions



Terminal



Terminal T1

- ◆ Absorbent glass mat technology;
- ◆ Recognized by UL & CE;
- ◆ ABS container.

Constant Current Discharge Characteristics (A, 25°C)

| F.V/TIME | 5min | 10min | 15min | 30min | 60min | 2h | 3h | 4h | 5h | 10h | 20h |
|----------|------|-------|-------|-------|-------|------|------|------|------|------|------|
| 4.80V | 12.2 | 7.68 | 6.08 | 3.39 | 2.08 | 1.14 | 0.82 | 0.65 | 0.55 | 0.30 | 0.16 |
| 4.95V | 11.8 | 7.45 | 5.93 | 3.32 | 2.05 | 1.13 | 0.81 | 0.65 | 0.55 | 0.30 | 0.16 |
| 5.10V | 11.3 | 7.14 | 5.72 | 3.22 | 2.00 | 1.12 | 0.81 | 0.64 | 0.55 | 0.30 | 0.16 |
| 5.25V | 10.8 | 6.84 | 5.52 | 3.14 | 1.96 | 1.10 | 0.80 | 0.64 | 0.54 | 0.30 | 0.16 |
| 5.40V | 10.2 | 6.45 | 5.23 | 3.03 | 1.90 | 1.08 | 0.78 | 0.62 | 0.53 | 0.29 | 0.15 |

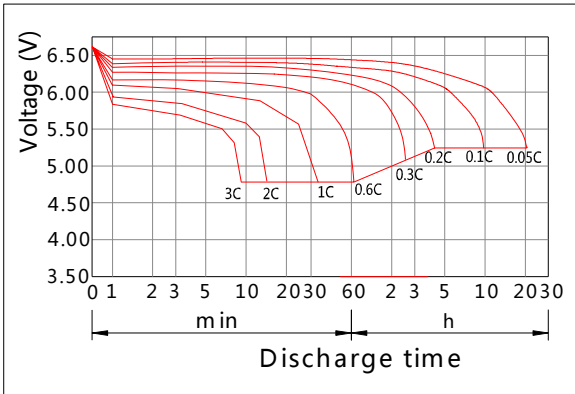
Constant Power Discharge Characteristics (Watt, 25°C)

| F.V/TIME | 5min | 10min | 15min | 30min | 60min | 2h | 3h | 4h | 5h | 10h | 20h |
|----------|------|-------|-------|-------|-------|------|------|------|------|------|------|
| 4.80V | 67.9 | 43.3 | 34.7 | 19.4 | 12.0 | 6.65 | 4.85 | 3.89 | 3.31 | 1.81 | 0.97 |
| 4.95V | 65.8 | 42.0 | 33.8 | 19.0 | 11.9 | 6.61 | 4.82 | 3.86 | 3.29 | 1.81 | 0.97 |
| 5.10V | 63.1 | 40.3 | 32.6 | 18.5 | 11.6 | 6.55 | 4.79 | 3.84 | 3.27 | 1.80 | 0.97 |
| 5.25V | 60.4 | 38.6 | 31.5 | 18.0 | 11.3 | 6.45 | 4.75 | 3.81 | 3.25 | 1.79 | 0.96 |
| 5.40V | 57.0 | 36.4 | 29.8 | 17.4 | 11.0 | 6.29 | 4.61 | 3.70 | 3.15 | 1.75 | 0.94 |

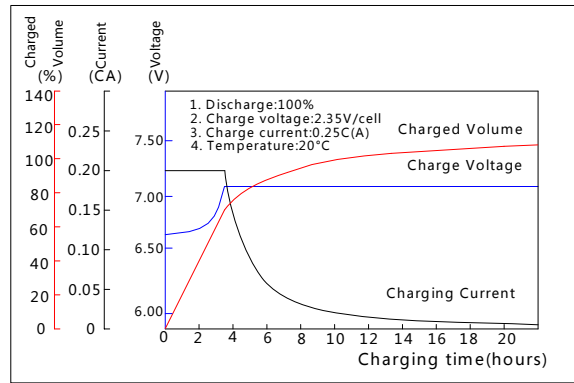
Note: The above characteristics data can be obtained within three charge/discharge cycles.



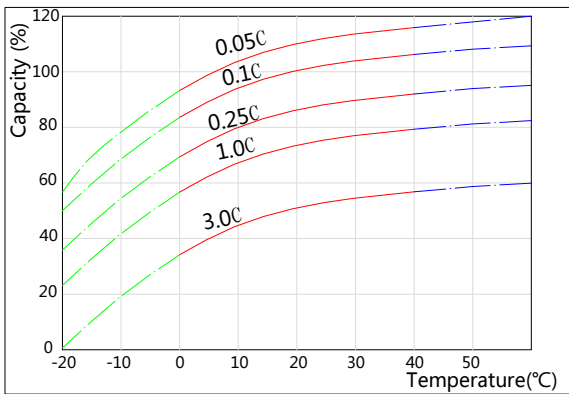
Discharge Characteristics(25°C)



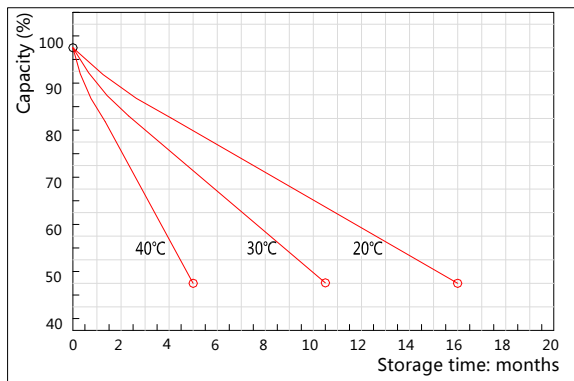
Charging Characteristics(25°C)



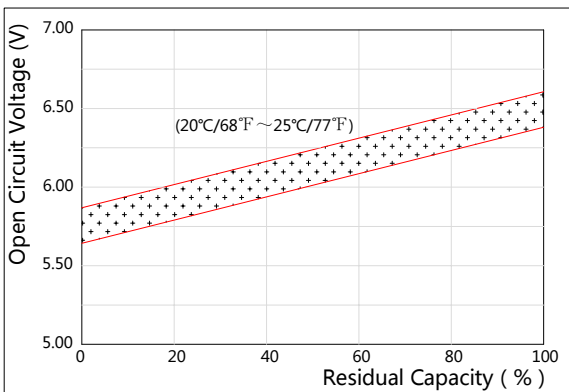
Effect of Temperature on Capacity



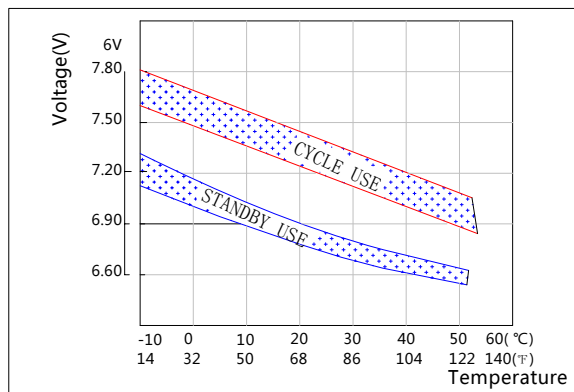
Self-discharge Characteristics



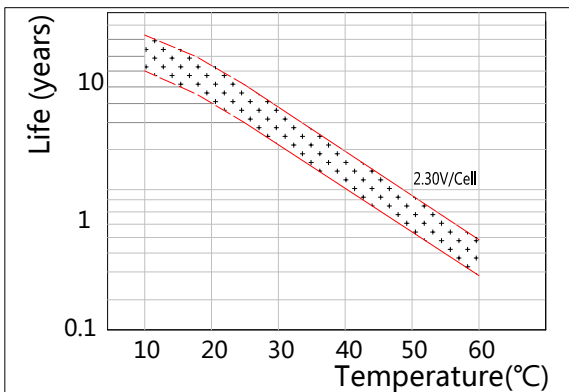
The Relationship for Open Circuit Voltage and Residual Capacity (25°C)



The Relationship for Charging Voltage and Temperature



Floating Life on Temperature



Cycle Life on D.O.D(25°C)

